

| Pos. No. | Article no. | Description | pc. |
|----------|-------------|-------------------------------------|-----|
| 1.1 | 5010691 | Cap for motor housing | 1 |
| 1.2 | 5010581 | Screw HC 4,8x45 DIN 7981 | 4 |
| 1.3.1 | 5013811 | Armature 110 V | 1 |
| 1.3.2 | 5013801 | Armature 230V | 1 |
| 1.4 | 5010061 | Ball bearing 608 2Z | 1 |
| 1.5 | 5010591 | O-Ring 22x2,5 | 2 |
| 1.6 | 5010561 | Carbon brush holder | 2 |
| 1.7 | 5010571 | Carbon brush 6,3x10x18 | 2 |
| 1.8 | 5013981 | Corrugated spring washer B4 DIN 137 | 4 |
| 1.9 | 5013991 | Self tapping screw ZM4x12 | 4 |
| 1.10 | 5012991 | Circlip ring SW 10 | 1 |
| 1.11 | 5013411 | Sealing sleeve | 1 |
| 1.12 | 5010271 | Circlip ring 28/1,2 DIN 472 | 1 |
| 1.13 | 5013601 | Shaft seal KEIV 15x21x3 | 1 |
| 1.14 | 5012501 | Ball bearing 6001 2RS | 1 |
| 1.15 | 5013421 | Gearbox bearing plate | 1 |
| 1.16.1 | 5012741 | Field coil 110 V | 1 |
| 1.16.2 | 5010671 | Field coil 230V | 1 |
| 1.17 | 5010031 | Screw HC 3,9 x 60 DIN 7981 | 2 |
| 1.18 | 5010641 | Air conducting ring | 1 |
| 1.19 | 5010701 | Motor housing complete | 1 |
| 1.20 | 5013431 | Gearbox housing | 1 |
| 1.21 | 5010071 | Ball bearing 608 | 1 |
| 1.22 | 5011191 | Ball bearing 6005 2RS | 1 |
| 1.23 | 5013471 | Spindle | 1 |
| 1.24 | 5010751 | Spring A5x5x12 DIN 6885 | 1 |
| 1.25 | 5013461 | Shaft seal 20x35x7 | 1 |
| 1.26 | 5010611 | Ball bearing 6203 2RS | 1 |
| 1.27 | 5010531 | Washer 15x22x0,2 DIN 988 | 1 |
| 1.28 | 5010621 | Spindle wheel 45 teeth | 1 |
| 1.29 | 5010721 | Circlip ring 15/1 DIN 471 | 1 |
| 1.30 | 5010631 | Gear wheel assembly 34/40 teeth | 1 |
| 1.31 | 5010351 | Needle bearing HK 0810 DIN 625 | 2 |
| 1.32 | 5010411 | Shaft for gear wheel 13 teeth | 1 |
| 1.33 | 5010501 | Spring A5x5x28 DIN 6885 | 1 |
| 1.34 | 5013451 | Shaft with 2 pinions 11/17 teeth | 1 |
| 1.35 | 5013441 | Intermedium gear wheel 44 teeth | 1 |
| 1.36 | 5013551 | Gear change | 1 |
| 1.37 | 5013561 | Circlip ring 26/1,2 DIN 471 | 1 |
| 1.38 | 5013581 | Cylinder pin 3m 6x10 DIN 6325 | 1 |
| 1.39 | 5013591 | Locking bolt | 1 |
| 1.40 | 5013571 | Bolt | 1 |
| 1.41 | 5010221 | Screw HC4,8 x 38 DIN 7981 | 4 |
| 1.42 | 5013481 | O-Ring 85x1,78 | 1 |
| 1.43 | 5010291 | Pin M4x12 DIN 1474 | 1 |
| 1.44 | 5014591 | Needle Bearing DL 0810 | 1 |
| 1.45 | 6010391 | Cover for motor connection | 1 |
| 1.46 | 6012131 | Cable gland PG9 | 1 |

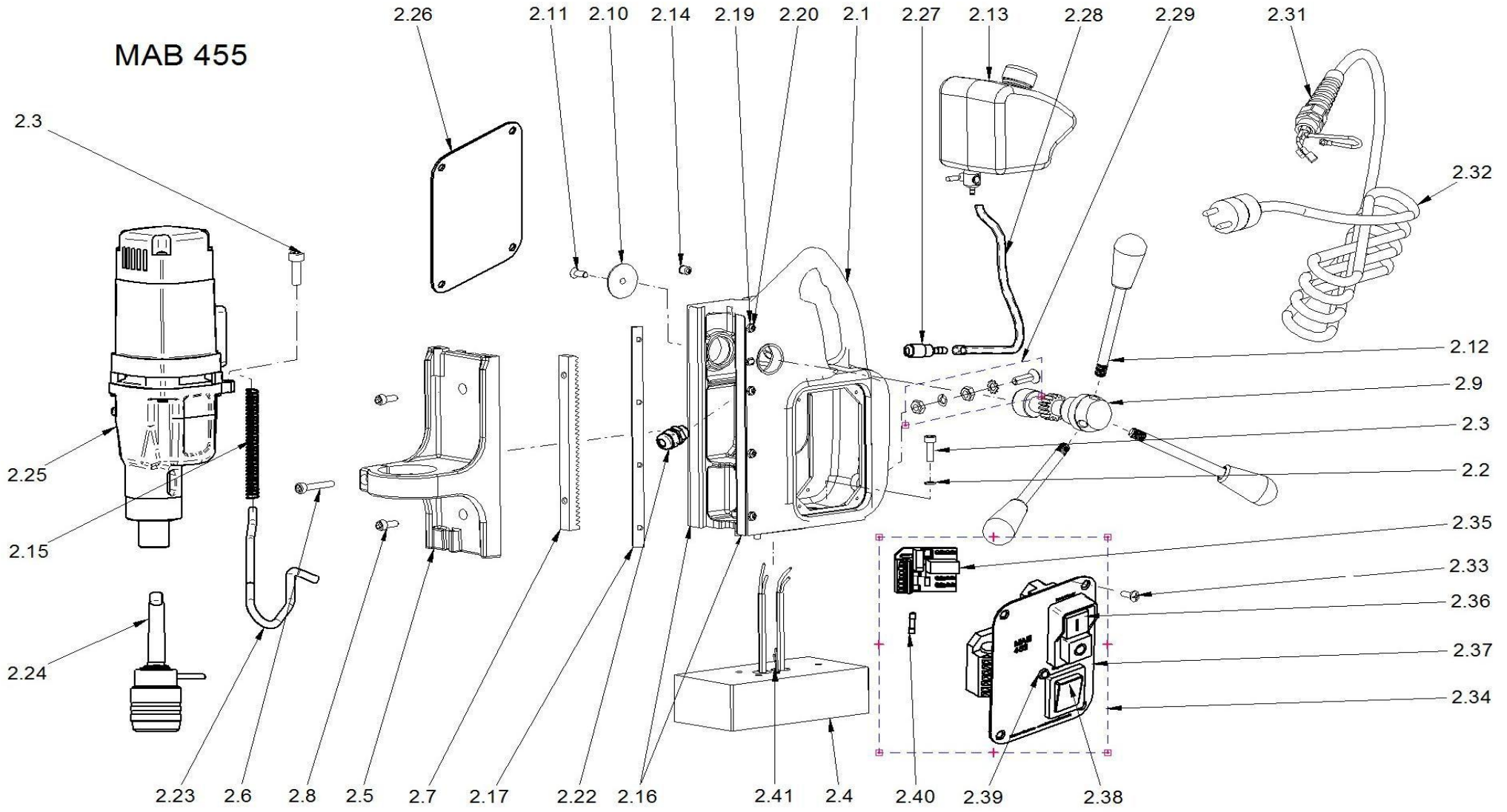


Spare part price list 2016

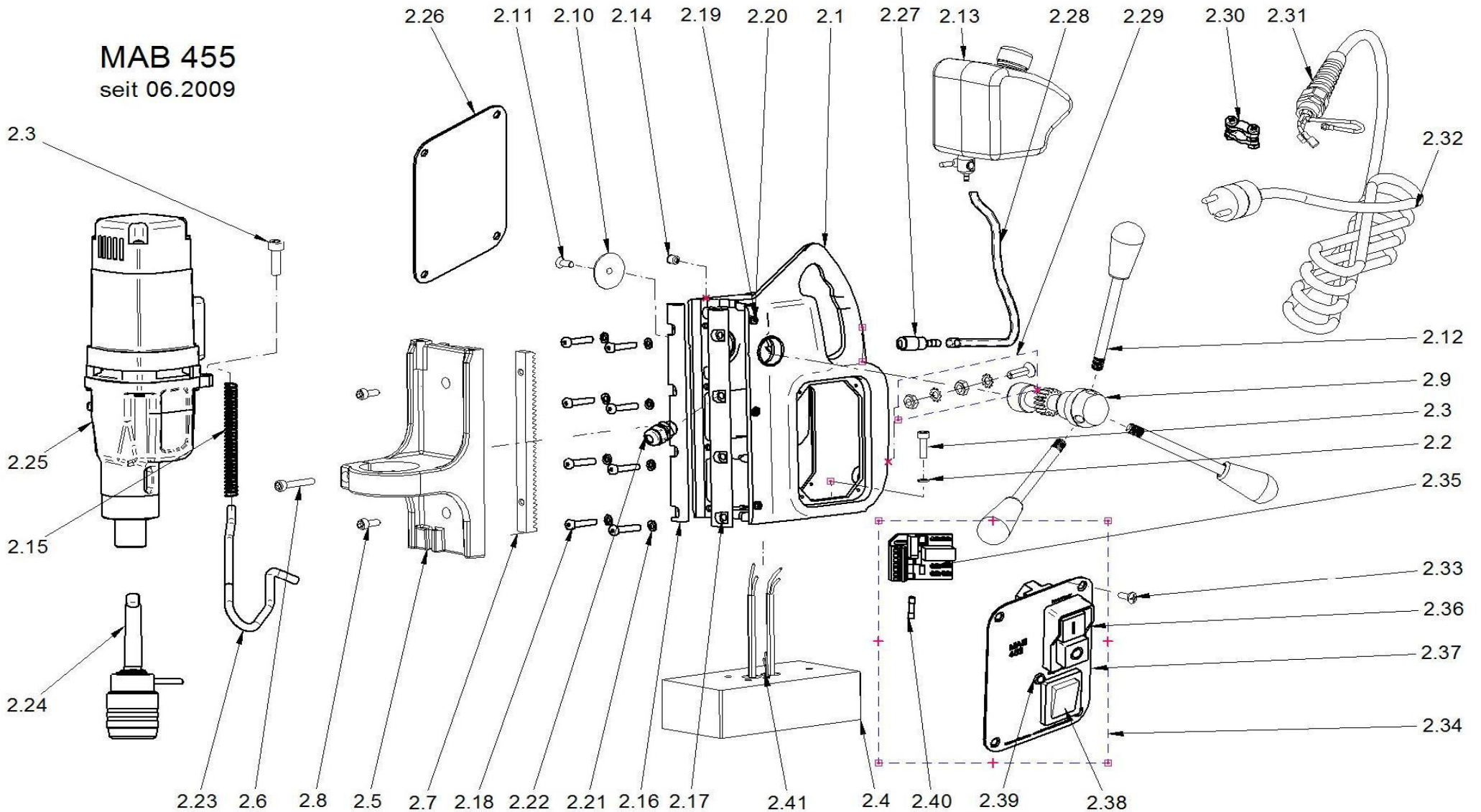
MAB 455 Motor

| Pos. No. | Article no. | Description | pc. |
|----------|-------------|--|-----|
| 1.47 | 6010401 | Chipboard screw 5 x 35 black chromated | 4 |

MAB 455



MAB 455
seit 06.2009



| Pos. No. | Article no. | Description | pc. |
|----------|-------------|--|-----|
| 2.1.1 | 6012091 | Housing for glued guide rails (both sides) until June 2009 - no longer available | 1 |
| 2.1.2 | 6012093 | Housing for screwed guide rails (both sides) since June 2009 | 1 |
| 2.2 | 6010021 | Spring washer 6,1 DIN 7980 | 3 |
| 2.3 | 6010111 | Hexagon socket screw M6x25 DIN 912 | 5 |
| 2.4 | 6010054 | Magnet (electric) with indicator | 1 |
| 2.5 | 6012101 | Slide | 1 |
| 2.6 | 6013171 | Hexagon socket cylinder head screw M6x35 DIN 912 | 1 |
| 2.7 | 6010081 | Rack | 1 |
| 2.8 | 6010011 | Hexagon socket cylinder head screw M6x16 DIN 912 | 2 |
| 2.9 | 6010211 | Shaft for gear wheel | 1 |
| 2.10 | 6010221 | Washer for gear wheel 10,5x35x1,5 | 1 |
| 2.11 | 6010231 | Screw M6x16 ISO 7047 | 1 |
| 2.12 | 6010242 | Handle rod with knob | 3 |
| 2.13 | 6012111 | Coolant reservoir with tap | 1 |
| 2.14 | 4000121 | Pressure piece | 1 |
| 2.15 | 6012181 | Spring for motor cable | 1 |
| 2.16.1 | 6012701 | Guide rail (1 set right/left) to be glued until June 2009 | 1 |
| 2.16.2 | 6012251 | Adjustment rail left, screwed, 4 holes since June 2009 | 1 |
| 2.17.1 | 6014181 | Guide rail right, screwed, 4 holes until June 2009 | 1 |
| 2.17.2 | 6012261 | Adjustment rail right, screwed, 4 holes since June 2009 | 1 |
| 2.18 | 7012171 | Hexagon socket cylinder head screw M6x20 DIN 7984 | 8 |
| 2.19 | 6010031 | Nut M5 DIN 934 | 3 |
| 2.20 | 6010041 | Adjusting screw M5x16 DIN 913 | 3 |
| 2.21 | 6050151 | Washer 6,4x11x1,6 DIN 433 | 8 |
| 2.22 | 6012131 | Cable gland PG9 | 1 |
| 2.23 | 7011091 | Motor cable 620mm | 1 |
| 2.24 | ZSS 200 | Quick change drill chuck system Keyless CM2 | 1 |
| 2.25.1 | 5004561 | Motor complete 110V | 1 |
| 2.25.2 | 5004551 | Motor complete 230V | 1 |
| 2.26 | 7011831 | Cover of housing, back side | 1 |
| 2.27 | ZSS 200K | Quick change coupling | 1 |
| 2.28 | ZSS 200S | Coolant tube blue, short 260mm | 1 |
| 2.29 | 7010061 | Earthing complete | 1 |
| 2.30 | 4010291 | Cord grip for connection cable | 1 |
| 2.31 | 7010031 | Mains cable gland PG 11 | 1 |
| 2.32.1.1 | 7010052 | Connection cable 110 V with GB-plug | 1 |
| 2.32.2.1 | 7010242 | Connection cable 110V with US-plug | 1 |
| 2.32.1.2 | 7010042 | Connection cable 230V complete with plug | 1 |
| 2.33 | 7010081 | Screw M4x8 DIN 966 | 8 |
| 2.34.1 | 7011161 | Switch plate complete with PC board 1 relais 110V | 1 |
| 2.34.2 | 7011151 | Switch plate complete with PC board 1 relais 230V | 1 |
| 2.35.1 | 7011111 | Control board with 1 relais 110V | 1 |
| 2.35.2 | 7011101 | Control board with 1 relais 230 V | 1 |
| 2.36.1 | 7010931 | Actuator 110 V | 1 |
| 2.36.2 | 7010801 | Actuator 230V | 1 |
| 2.37 | 7011121 | Switch plate front side | 1 |
| 2.38 | 7010142 | Magnet switch, 4 connection terminals | 1 |
| 2.39 | 7010101 | LED display for indicator red/green incl. cable and frame | 1 |



Spare part price list 2016

MAB 455 Stand

| Pos. No. | Article no. | Description | pc. |
|----------|-------------|----------------------|-----|
| 2.40 | 7010131 | Fuse 2A, 5x20 | 1 |
| 2.41 | 6012171 | Indicator with cable | 1 |

