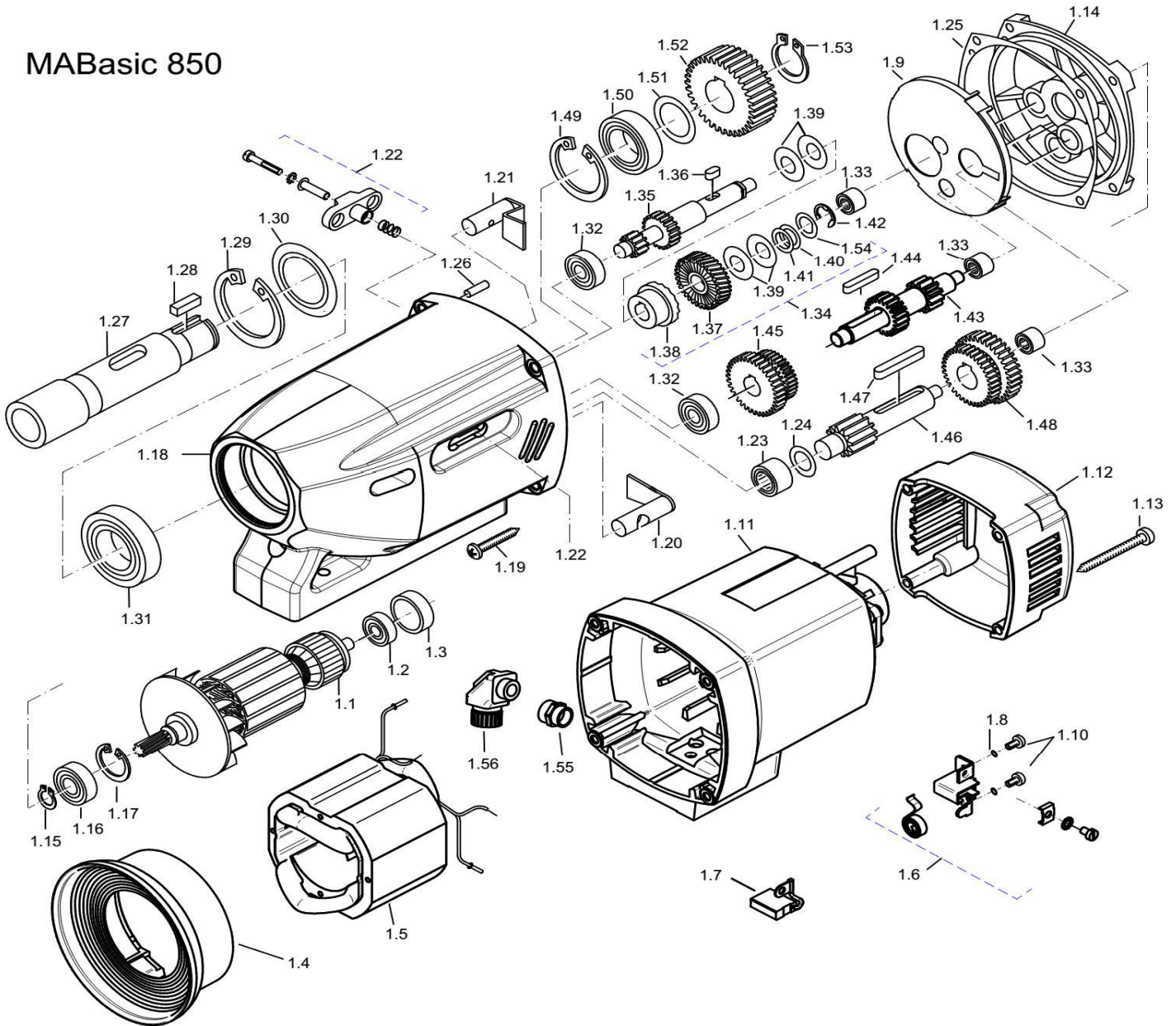
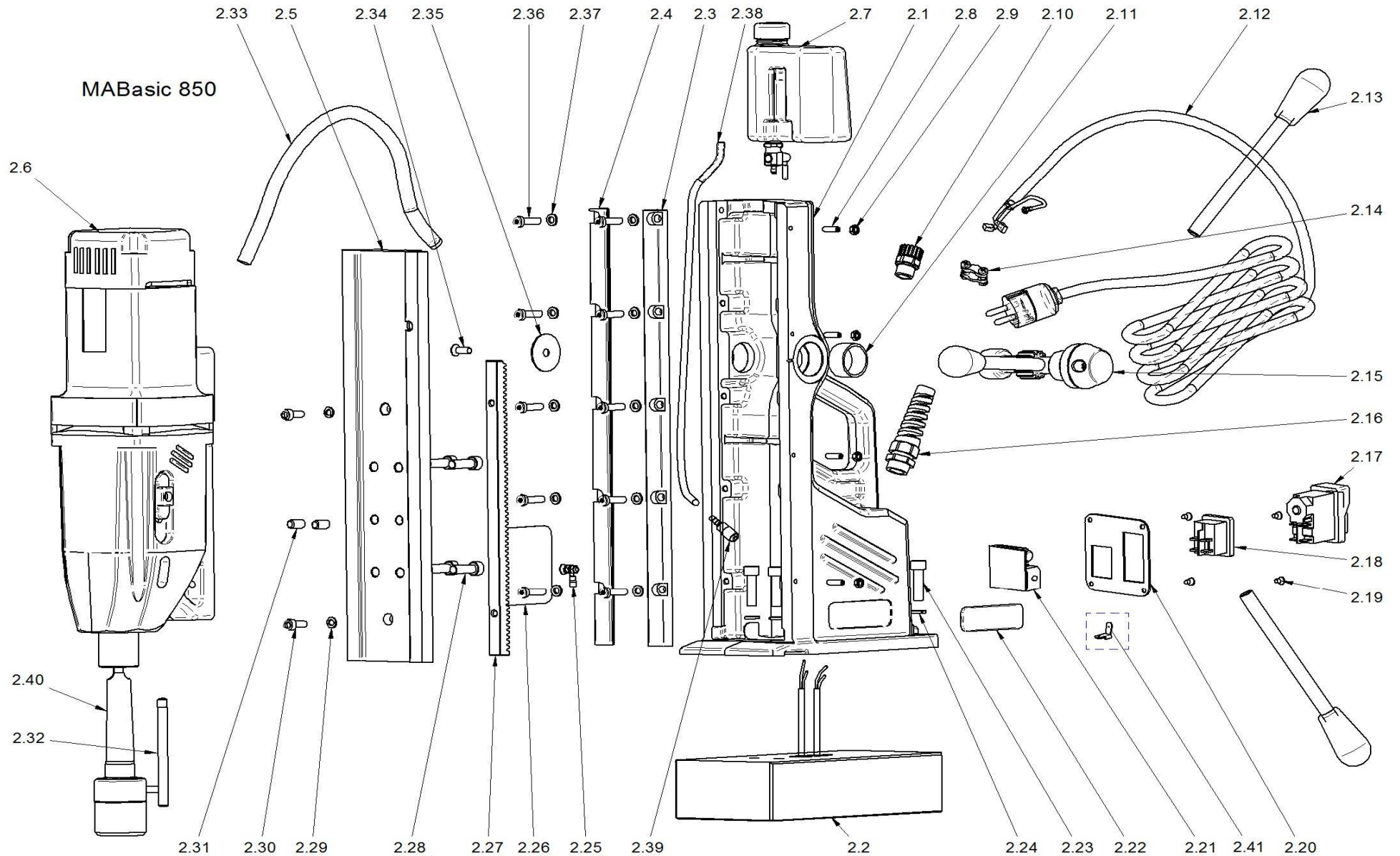


MABasic 850

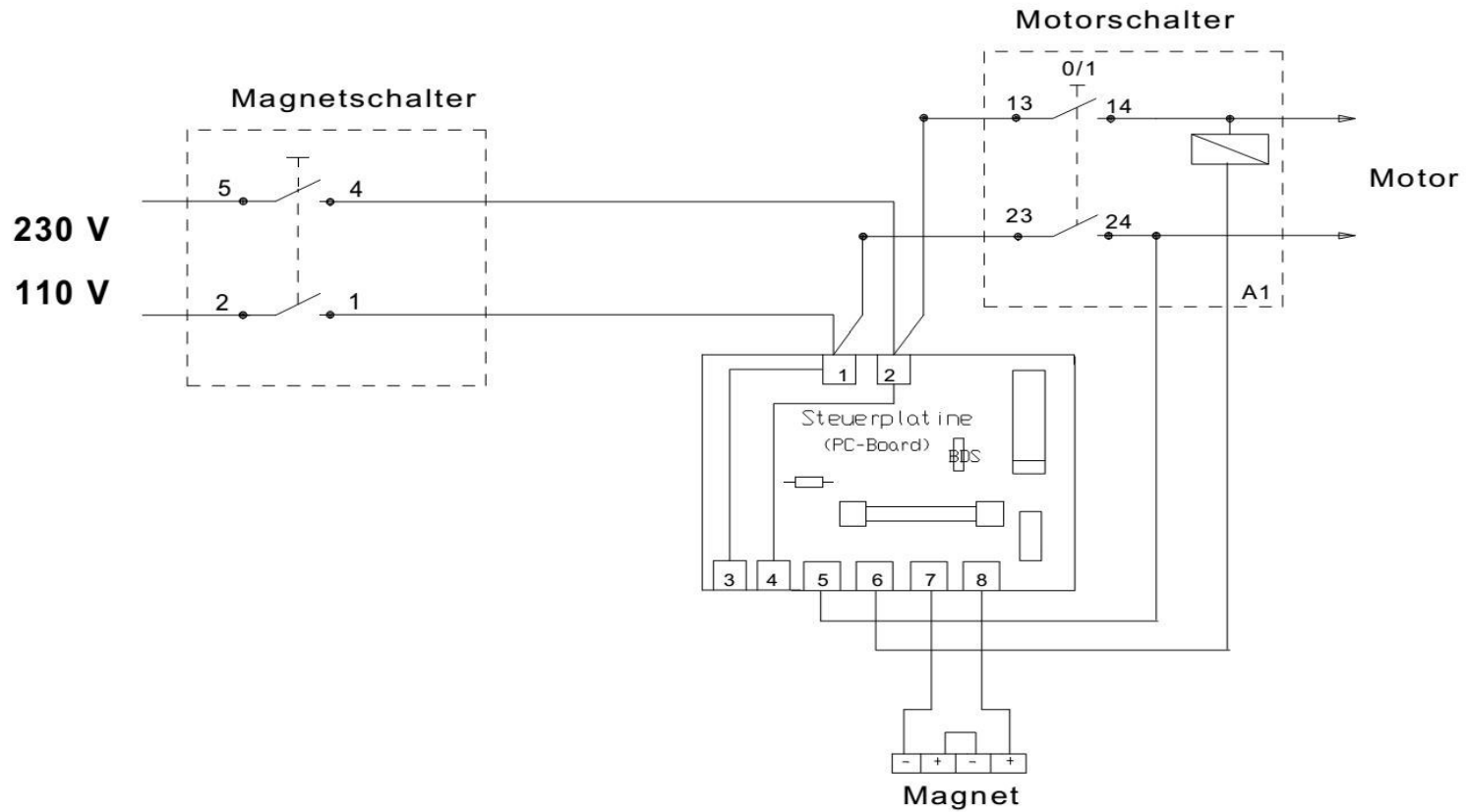


Pos. No.	Article no.	Description	pc.
1.1.1	5012001	Armature 110V	1
1.1.2	5011991	Armature 230V	1
1.2	5011301	Ball bearing 6000 2Z	1
1.3	5011561	Bearing cap	1
1.4	5011091	Air conducting ring	1
1.5.1	5012051	Field coil 110V	1
1.5.2	5012041	Field coil 230V	1
1.6	5011601	Carbon brush holder complete	2
1.7	5011581	Carbon brush 6,3x16x20	2
1.8	5013981	Corrugated spring washer B4 DIN 137	4
1.9	5012161	Shaft seal for grease chamber	1
1.10	5013991	Self tapping screw ZM4x12	4
1.11	5013531	Motor housing	1
1.12	5011531	Cap for motor housing	1
1.13	5010581	Screw HC 4,8x45 DIN 7981	4
1.14	5013541	Gearbox bearing plate	1
1.15	5010711	Circlip ring 11/1 DIN 471	1
1.16	5010081	Ball bearing 6001 2Z	1
1.17	5010271	Circlip ring 28/1,2 DIN 472	1
1.18	5013651	Gearbox housing	1
1.19	5010911	Screw HC 5,5x38 DIN 7981	4
1.20	5011861	Bolt for clutch 2	1
1.21	5012141	Bolt for clutch 1	1
1.22	5010521	Gear change complete	2
1.23	5011261	Needle bearing RNA 4900	1
1.24	5011271	Washer for needle bearing RNA 4900	1
1.25	5011641	Gearbox gasket	1
1.26	5011481	Pin 5x16 DIN 1474	1
1.27	5011221	Spindle	1
1.28	5011161	Spring B6x6x20 DIN 6885	1
1.29	5011241	Circlip ring 55/2 DIN 472	1
1.30	5011251	Washer for ball bearing 6006 2Z	1
1.31	5012331	Ball bearing 6006 2RS	1
1.32	5011011	Ball bearing 6000	2
1.33	5010351	Needle bearing HK 0810	3
1.34	5012031	Clutch complete	1
1.35	5012131	Intermediate shaft 1	1
1.36	5011341	Spring A5x5x10 DIN 6885	1
1.37	5012151	Clutch center wheel	1
1.38	5011351	Half of clutch	1
1.39	5011331	Spring 28x12,2x1	4
1.40	5011391	Washer 1	1
1.41	5050201	Washer 12x18x0,2 DIN 988	1
1.42	5011411	Circlip ring 9 DIN 6799	1
1.43	5012081	Intermediate shaft 2	1
1.44	5010501	Spring A5x5x28 DIN 6885	1
1.45	5012021	Gear wheel assembly 1	1
1.46	5012121	Intermediate shaft 3	1

Pos. No.	Article no.	Description	pc.
1.47	5011881	Spring A6x6x40 DIN 6885	1
1.48	5012101	Gear wheel assembly 2	1
1.49	5011201	Circlip ring 47/1,75 DIN 472	1
1.50	5011191	Ball bearing 6005 2RS	1
1.51	5011181	Washer 25x35x0,1 DIN 988	1
1.52	5011171	Spindle gear wheel	1
1.53	5011151	Circlip ring 24/1,2 DIN 471	1
1.54	5011381	Washer 2	1
1.55	7013271	Extension PG9 to PG9	1
1.56	7014371	Angled screw coupling PG9	1



Pos. No.	Article no.	Description	pc.
2.1	3080001	Housing for guide rails both sides screwed	1
2.2	6018501	Magnet (electric)	1
2.3	7013211	Adjustment rail right, screwed	1
2.4	7013221	Adjustment rail left, screwed	1
2.5	7013241	Dovetail carriage	1
2.6.1	5080021	Motor complete 110V	1
2.6.2	5080011	Motor complete 230V	1
2.7	ZKK 401	Coolant reservoir with tap	1
2.8	6010041	Adjusting screw M5x16 DIN 913	4
2.9	6010031	Nut M5 DIN 934	4
2.10	7010021	Gland PG 9	1
2.11	6013871	Bush bearing 28,05H7x32x16	2
2.12.1.1	7010052	Connection cable 110V with GB-plug	1
2.12.2.1	7010242	Connection cable 110V with US-plug	1
2.12.1.2	7010042	Connection cable 230V complete with plug	1
2.13	6010542	Handle rod with knob	3
2.14	4010291	Cord grip for connection cable	1
2.15	6050111	Shaft for gear wheel	1
2.16	7010031	Mains cable gland PG 11	1
2.17.1	7010931	Actuator 110V	1
2.17.2	7010801	Actuator 230V	1
2.18	7010142	Magnet switch, 4 connection terminals	1
2.19	7010081	Screw M4x8 DIN 966	4
2.20	7011811	Front plate	1
2.21	7010812	Control board 110V + 230V 6 connection terminals	1
2.22	7028501	Front label	1
2.23	6050101	Hexagon socket cylinder head screw M8x30 DIN 912	4
2.24	6010571	Spring washer 8,2 DIN 7980	4
2.25	7010061	Earthing complete	1
2.26	7021001	Cover of housing, back side	1
2.27	7013251	Rack	1
2.28	7012271	Hexagon socket cylinder head screw M8x25 DIN 7984	4
2.29	6010021	Spring washer 6,1 DIN 7980	2
2.30	6010011	Hexagon socket cylinder head screw M6x16 DIN 912	2
2.31	7012281	Cylinder pin hardened 8m6x16 DIN 6325	4
2.32	6000312	Stop pin L=102	1
2.33	7010001	Cable protection tube 440mm	1
2.34	6010231	Screw M6x16 ISO 7047	1
2.35	6010221	Washer for gear wheel 10,5x35x1,5	1
2.36	7012171	Hexagon socket cylinder head screw M6x20 DIN 7984	10
2.37	6013441	Washer 6,4x11x1,6 DIN 433	10
2.38	ZSS 200STL	Cooling tube, transparent, long 480mm	1
2.39	ZSS 200K	Quick change coupling	1
2.40	ZIA 319-KN	Industrial arbor MK3, Weldon 19mm with automatic lubrication	1
2.41	7011571	Plug distributor for version 110V	1



				Maßstab
		Datum	Name	Steuerschaltplan MABasic 850
		Bearb.	12.03.15 Medvedov	
		Gepr.	Widmaier	
		Norm.		
		BDS Maschinen GmbH		1814-MABasic850-01